

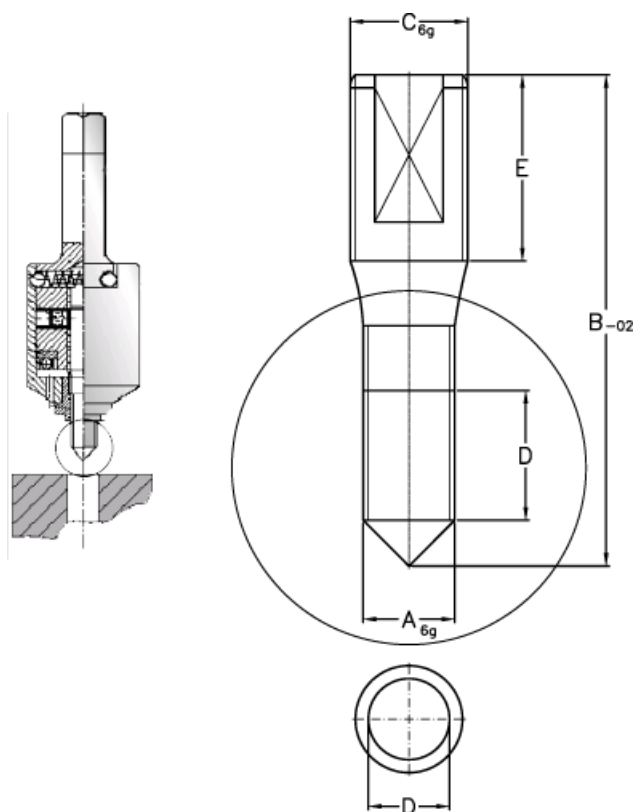
Data Sheet



Article number: 12620000120710

Description: Threaded pin 620 000 120.710
For M12

Measures



A = M12

B = 62.0

C = M12

D = 24.0

E = 25